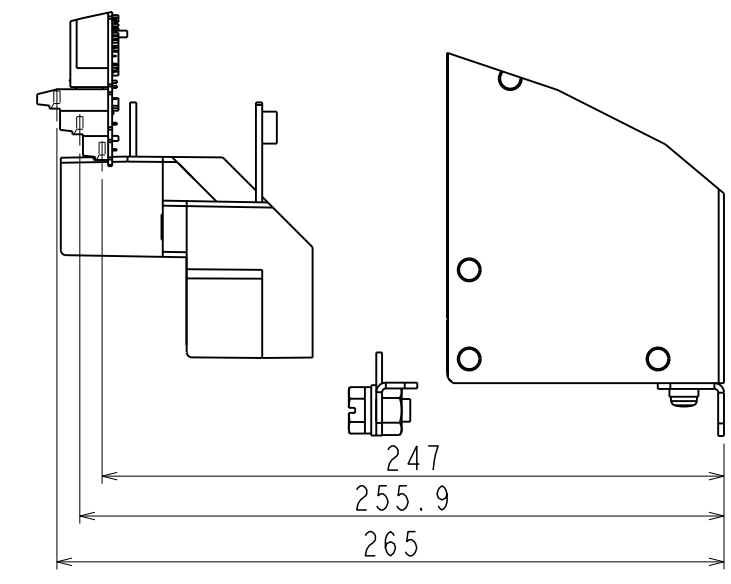
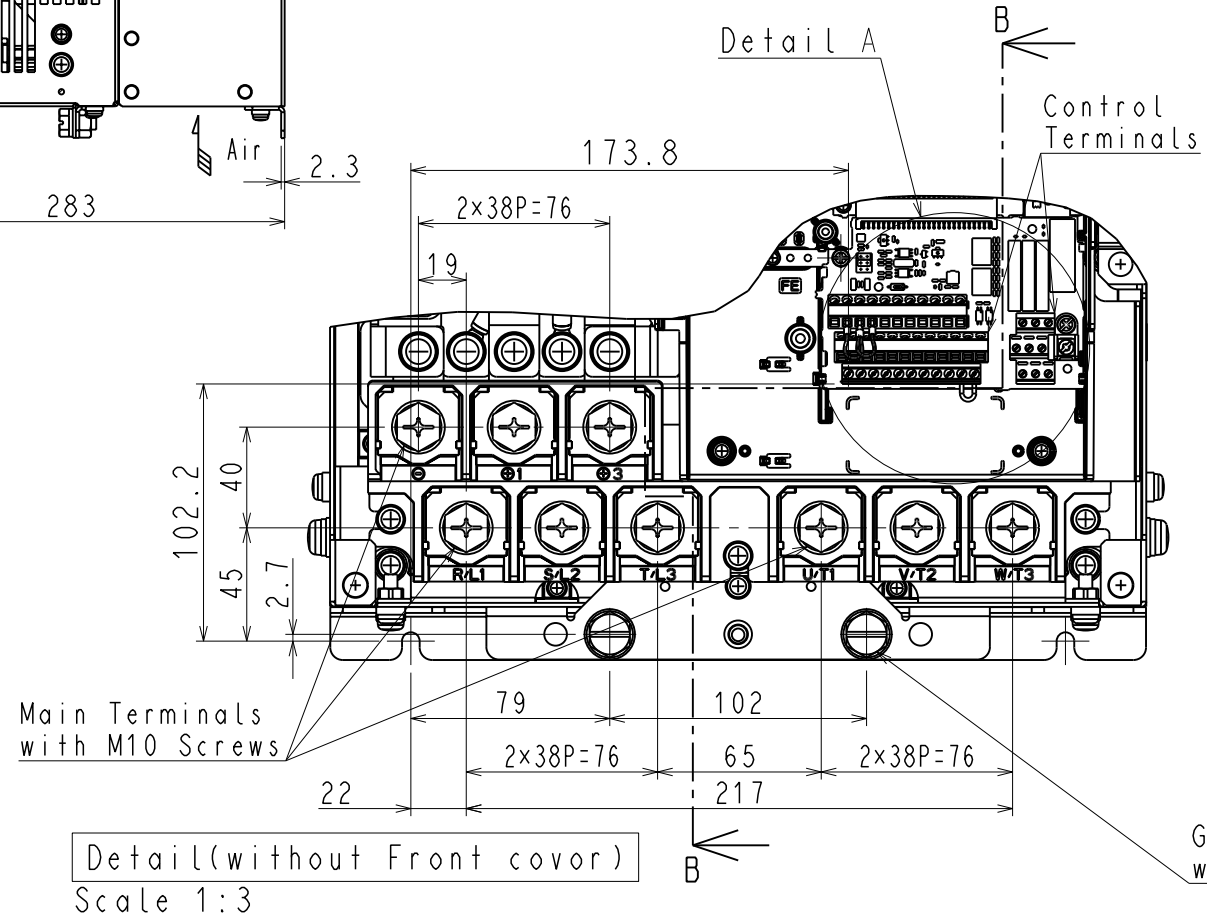
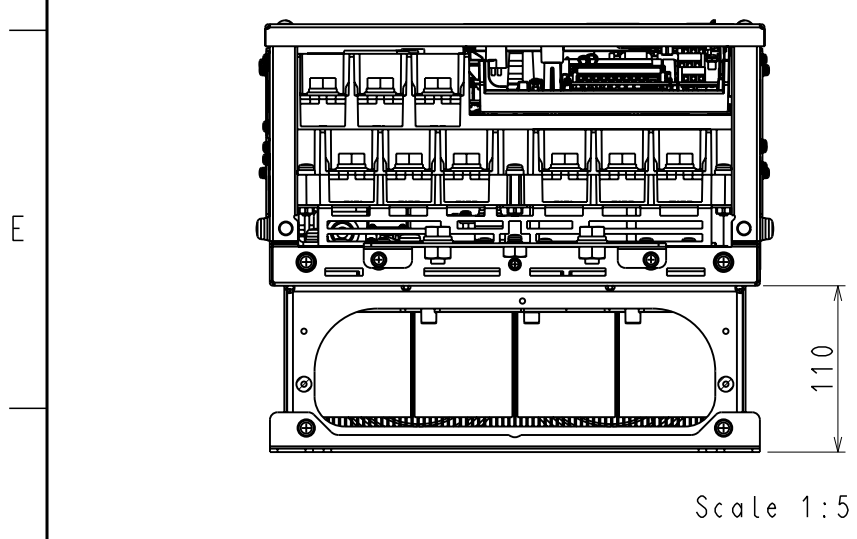
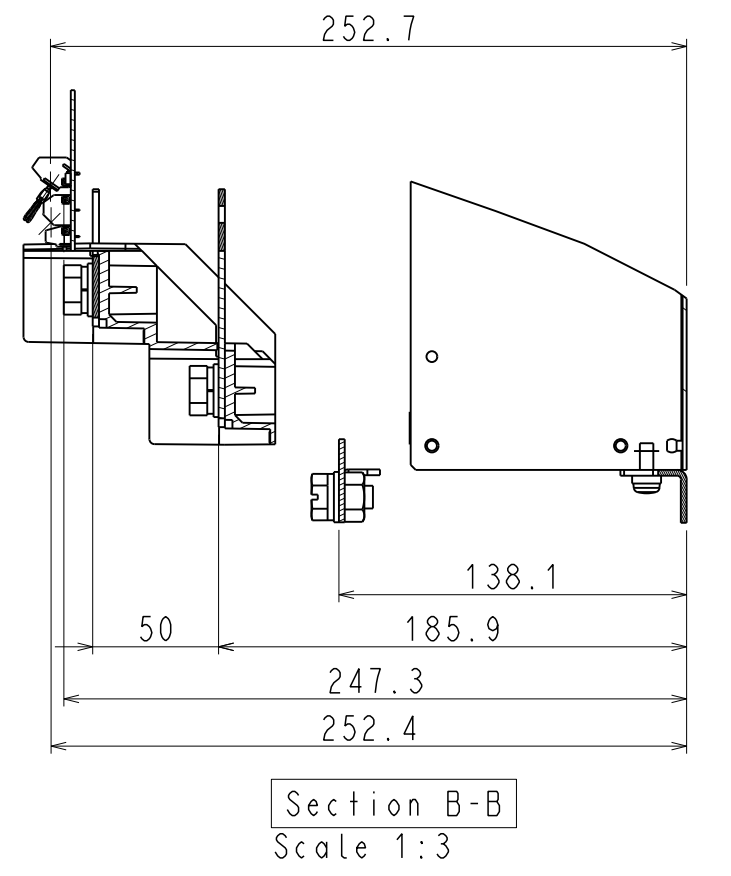
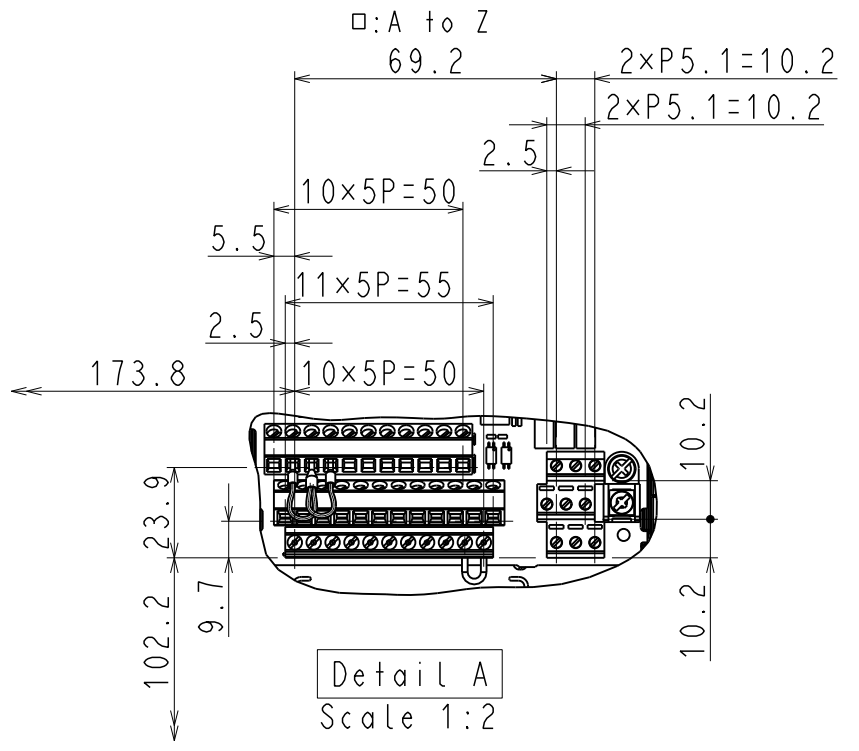
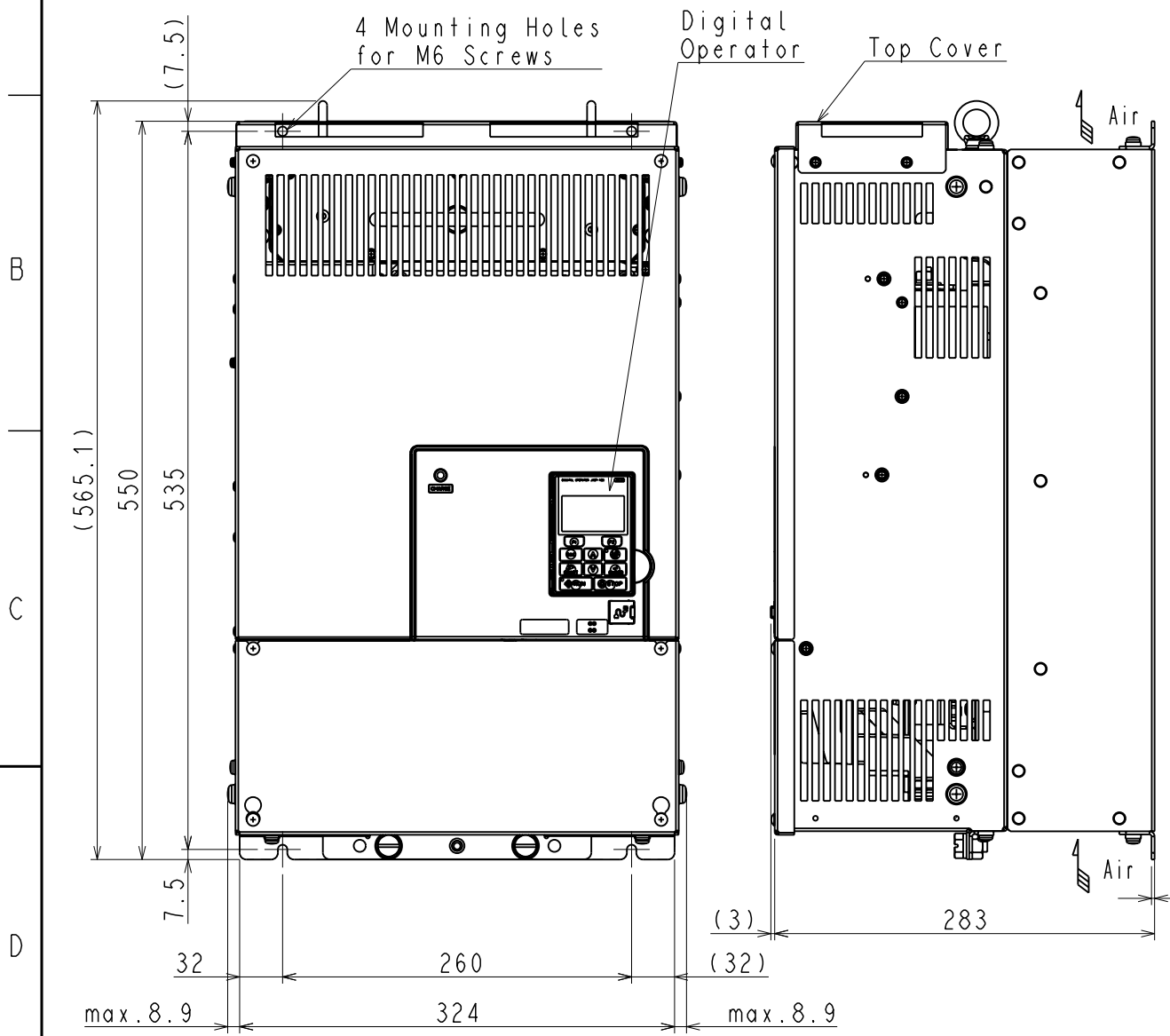


DWG. NO. EZZ902066-1/1

Model No.	Max Appli. Motor (kW)		Terminal Symbol			Cooling Fan	Mass (kg)
	Normal Duty	Heavy Duty	INPUT OUTPUT(MOTOR)				
CIMR-LU2□0145D	-	37	R/L1 S/L2 T/L3	U/T1 V/T2 W/T3	2	37	
CIMR-LU2□0180D	-	45	R/L1 S/L2 T/L3	U/T1 V/T2 W/T3	2	38	
CIMR-LU4□0112D	-	55	R/L1 S/L2 T/L3	U/T1 V/T2 W/T3	2	41	
CIMR-LU4□0150D	-	75	R/L1 S/L2 T/L3	U/T1 V/T2 W/T3	2	42	
CIMR-LU5□0052D	-	37	R/L1 S/L2 T/L3	U/T1 V/T2 W/T3	2	41	
CIMR-LU5□0062D	-	45	R/L1 S/L2 T/L3	U/T1 V/T2 W/T3	2	41	
CIMR-LU5□0077D	-	55	R/L1 S/L2 T/L3	U/T1 V/T2 W/T3	2	41	

Third Angle Projection  
Dimensions in mm



REVISIONS	 SCALE - : -	 YASKAWA	DRAW. Nov. 12. 2013 N. Takwyama	TITLE L1000A OPEN CHASSIS TYPE	DWG. NO. EZZ902066	1/1	REV.
			CHECK M. Kojyo				
			APPR. M. Kojyo				